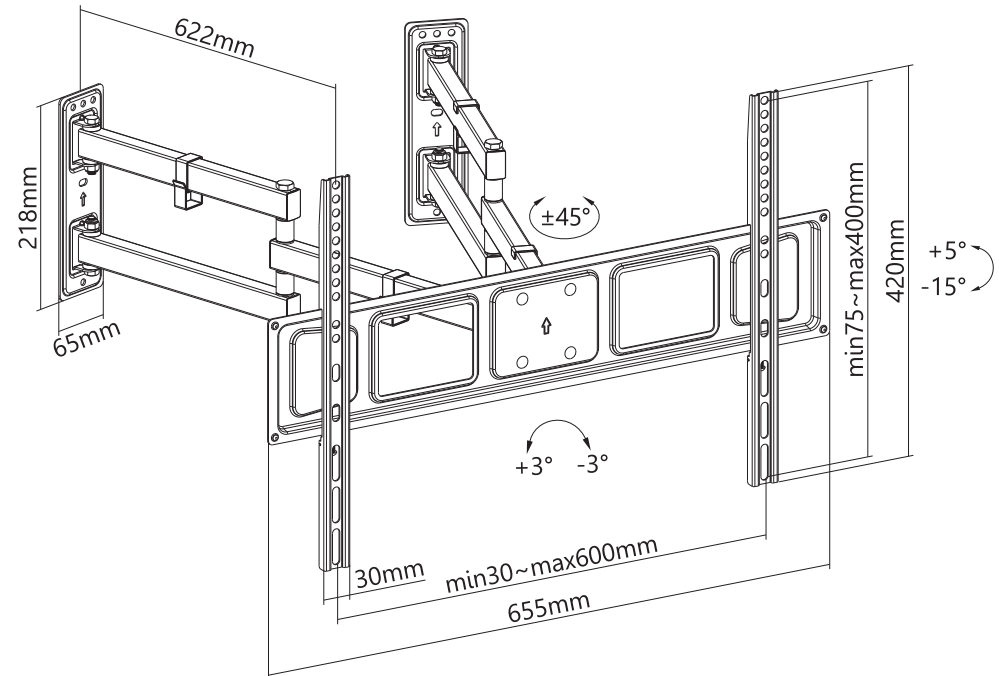


NOTE: ALL MATERIAL COMPLIANT ROHS STANDARD

REVISION INFORMATION

Rev.	Rev. Date	Modified By	Brief Description



<p>A (x1)</p>	<p>B (x2)</p>	<p>M-A (x4) M5x14</p>	<p>M-B (x4) M6x14</p>	<p>M-C (x4) M6x30</p>	<p>M-D (x4) M8x30</p>
		<p>M-E (x4) M8x50</p>	<p>M-F (x4)</p>	<p>M-G (x8)</p>	<p>M-H (x8)</p>
<p>C (x1)</p>	<p>W-A (x8) ST6.3x55</p>	<p>W-B (x8) Ø10x45</p>	<p>W-C (x8)</p>		



NO.	PART NAME	SPECIFICATION DESCRIPTION	QTY	UNIT
③				
②				
①				

Unless specified on the drawing, tolerances are per the follows:
 . +1
 .x +0.2
 .xx +0.05

DRAWN BY	DATE: 2021/3/26	DESCRIPTION: CORNER FULL-MOTION TV WALL MOUNT LPA63-466C
CHECKED BY	SHEET 1of1	ITEM NO. 502886
APPROVED BY	SCALE 1:1	REV. 00 UNIT:mm

